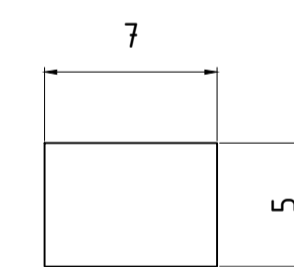
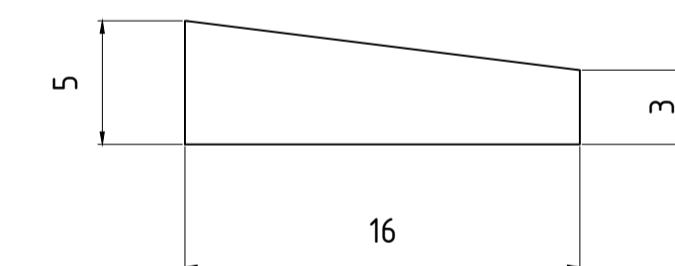
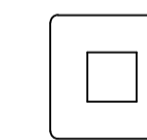
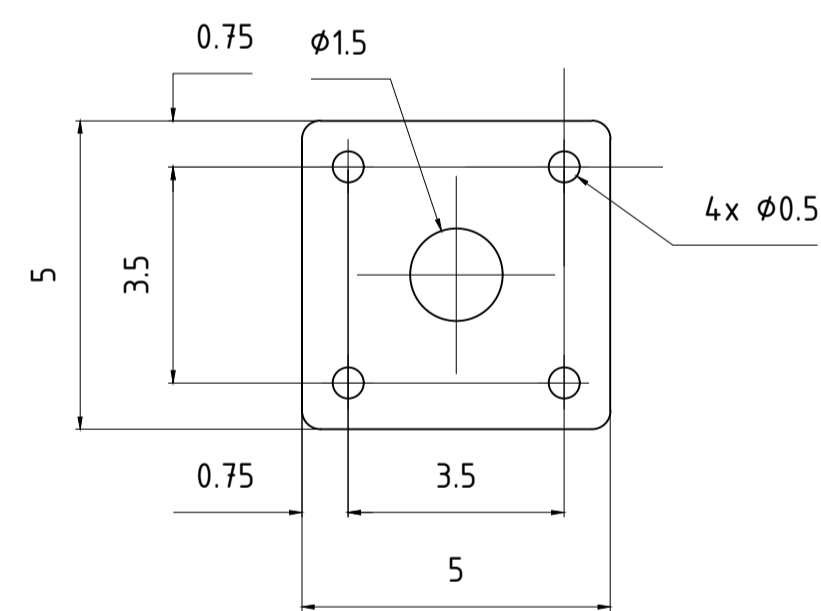
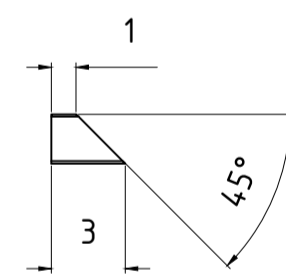
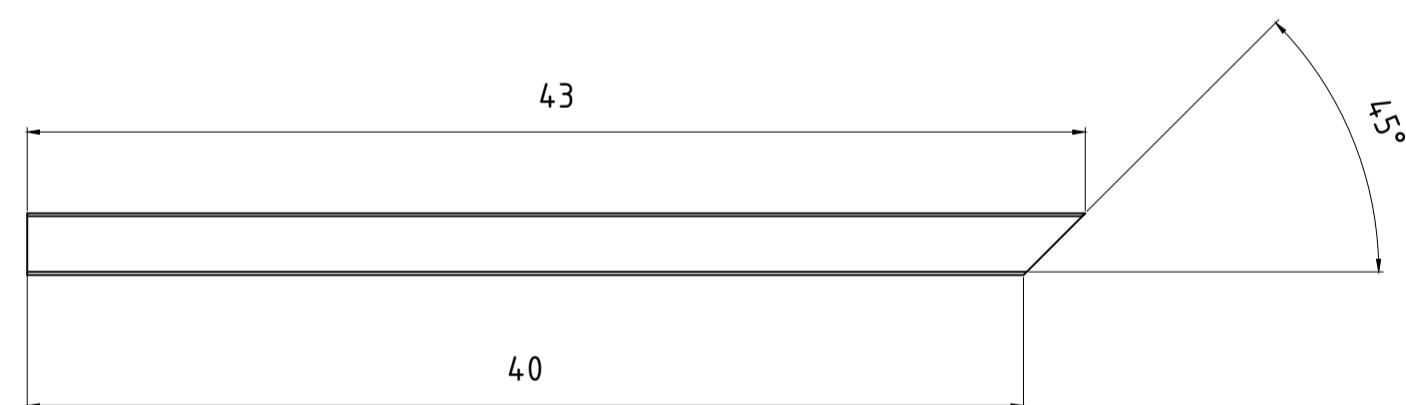


Scale 1:2



01. Long Steel Tube
2" x 2" x 43"
1pcs

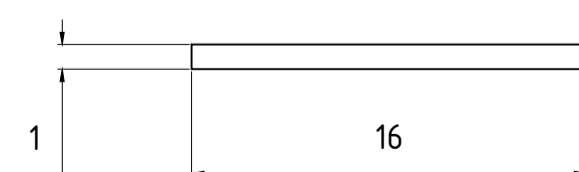
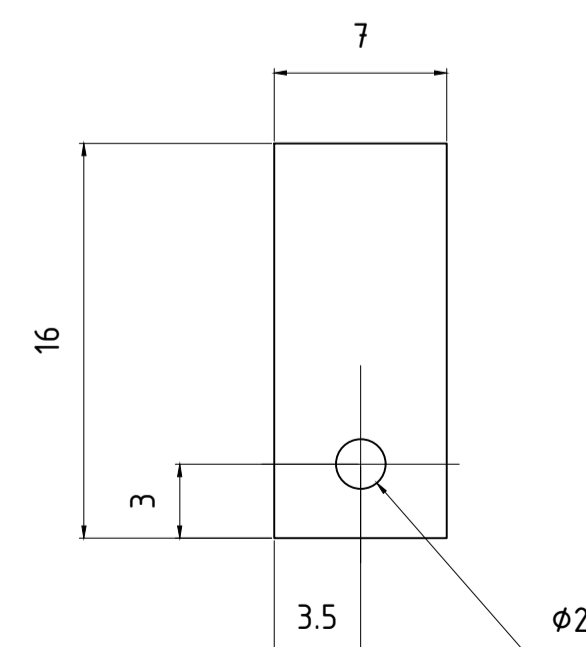
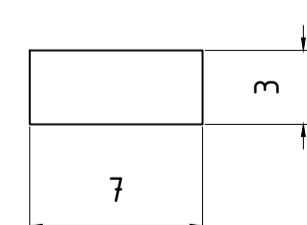
02. Short Steel Tube
2" x 2" x 3"
1pcs

03. Base Plate
5" x 5" x 3/16"
1pcs

04. 5" Standard Cover Plate
1pcs

05. Side Face Doorbird Box
16" x 5" x 14 Gau
2pcs

06. Top Face Doorbird Box
7" x 5" x 14 Gau
1pcs



07. Bottom Face Doorbird Box
7" x 3" x 14 Gau
1pcs

08. Main Face Doorbird Box
16" x 7" x 14 Gau
1pcs

09. Frame Doorbird Box
1" x 0.5" x 14 Gau
2pcs

ITEM NO.	MATERIAL	DESCRIPTION	DETAIL	LENGTH	QTY.	TOTAL (FH)
1	Rectangular tube - 2"x2"	14 Gau	Long Steel Tube	43"	1	3.85
			Short Steel Tube	3"	1	
2	Sheet Metal 5"x5"x3/16"		Base Plate		1pcs	
3	5" Standard Cover Plate		Item#		1pcs	
4	Sheet Metal 14 Gau	14 Gau	Side Face Doorbird Box	16"x5"x14Gau	2pcs	
			Top Face Doorbird Box	7"x5"x14Gau	1pcs	
			Bottom Face Doorbird Box	7"x3"x14Gau	1pcs	
			Main Face Doorbird Box	16"x7"x14Gau	1pcs	
5	Rectangular tube - 1"x0.5"	14 Gau	Frame Doorbird Box	16"	2	2.7

Design	Pham Tien Dat	Date	02/02/2023
Signature		Page	1 of 1
REV	00	Title	Pedestal Pole 42 Inches Tall
Dimension	55" x 10" x 7"	Drawing NO.	PDT42INCHESBLK
View	First-angle projection	Scale	1:5